

AD1120CF Series

120Watts, Single Output



Dimensions: 121(D)x75(W)x110(H) mm

Features

- High power density
- Universal input range
- Convection cooled
- RoHS compliance
- 3 year warranty
- Great reliability
- DIN rail / Wall bracket mounting solution
- Over voltage protection
- Overload protection
- Short circuit protection
- Reverse polarity protection

Safety Standards



EN 60950 (Marking)

EMC Standards

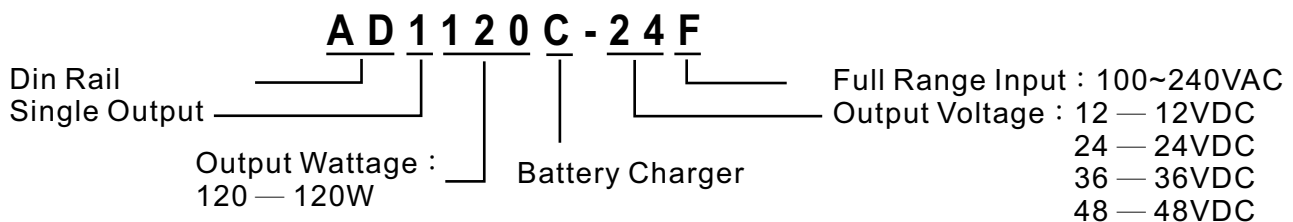
EN55011	Class B
EN55022	Class B
EN61000-4-2	Level 3
EN61000-4-3	Level 3
EN61000-4-4	Level 3
EN61000-4-5	Level 3
EN61000-4-6	Level 3
EN61000-4-8	Level 3
EN61000-4-11	Level 3

Model List

Model	Charging Voltage Boost	Charging Voltage Float	Charging Current	Line Reg.	Load Reg.	Efficiency	Over Voltage Protection
AD1120C-12F	14.7VDC	13.8VDC	10.0A Max.	±1%	±1%	80%	18~22VDC
AD1120C-24F	29.4VDC	27.6VDC	5.0A Max.	±1%	±1%	81%	33~37VDC
AD1120C-36F	44.1VDC	41.4VDC	3.3A Max.	±1%	±1%	83%	47~51VDC
AD1120C-48F	58.8VDC	55.2VDC	2.5A Max.	±1%	±1%	83%	63~67VDC

- **NOTE:**
1. Line regulation is measured from low line to high line at rated load.
 2. Load regulation is measured from 20% to 100% of rated load at 230VAC input.
 3. Efficiency is measured at rated load and 230VAC input.

Model Encoding



Website: <http://www.acro-powers.com/>
E-mail: service@acro-powers.com.tw
Tel: +886-2-22675015 Fax: +886-2-22674939

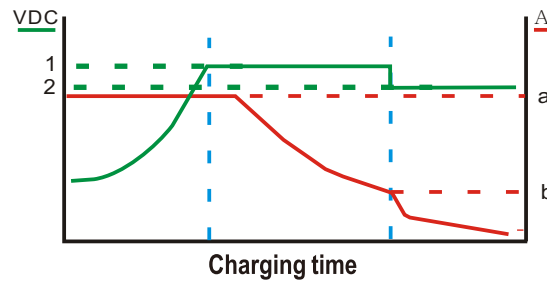
ACRO
ENGINEERING INC.

Specification

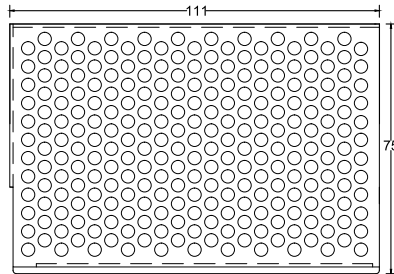
General		
Switching Frequency	85kHz	
Isolation Voltage	Input-Output	3000VAC /4242VDC
	Input-FG	1500VAC/2121VDC
	Output-FG	500VAC/ 710VDC
Isolation Resistance	100MΩ when Input-Output @500VDC	
Operating Temperature	-40°C~50°C ambient	
Storage Temperature	-40°C to +85°C	
Relative Humidity	5%~95% RH, Non-condensing.	
Temperature Coefficient	±0.04% of output voltage per °C	
MTBF	60,000hrs Min. Per MIL-HDBK-217F, 25°C GB	
Attitude During Operation	2000m	
Installation position	Vertical	
Vibration	Random vibration, 10~500Hz. 3 axise	
Input		
Input Voltage	100~240VAC/120~370VDC	
Input Frequency	47~63Hz	
Inrush Current (cold start)	22A/115VAC 44A/230VAC	
Rated Input Current	2.7A Max., Vi=100~240VAC	
Leakage Current	Input-output 0.25mA, Inout-FG 3.5mA	
Output		
Line Regulation	±1%, measuring from low line to high line rated load	
Load Regulation	±1%, measuring from 20% to 100% of rated load 230VAC input	
Rated Continuous Loading	8A@12VDC, 4A@24VDC, 2.5A@36VDC, 2A@48VDC	
Turn On Time	1500mS	
Efficiency	See model list, measuring at rated load and 230VAC input.	
Protection		
Input Fuse	3.15A/250V	
Internal Surge Load Protection	Varistor, IEC6100-4-5	
Degree of Protection	IP20	
Short Circuit Protection	Autorecovery	
Over Voltage Protection	Autorecovery	
Rated Over Load Protection	100%	
Overload protection	Power limited	

Charging Curve

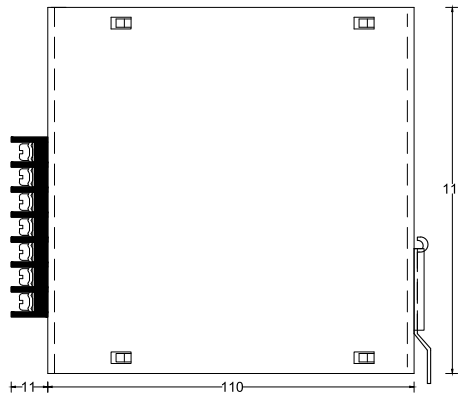
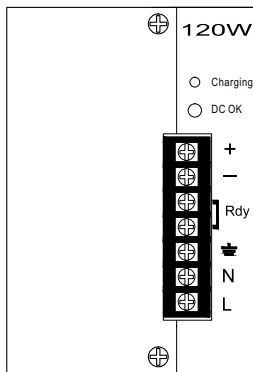
Code	Type	12V	24V	36V	48V
a	(A)	10	5	3.3	2.5
b	(A)	0.6	0.6	0.6	0.6
1	(VDC)	14.7	29.6	44.1	58.8
2	(VDC)	13.8	27.6	41.4	55.2



Mechanical Details



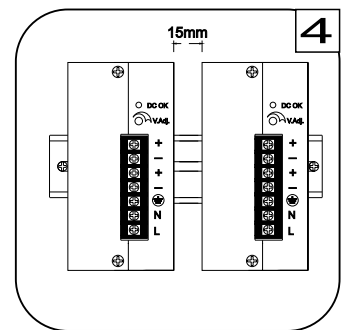
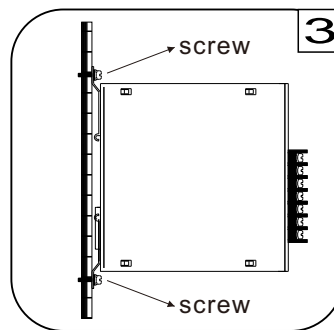
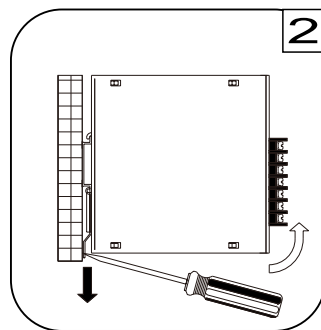
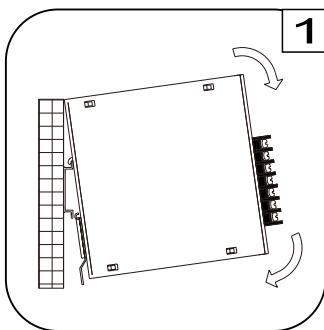
Case No.	AD120
Dimensions	121(D)x75(W)x110(H)mm
Case Material	Metal



Terminal Allocation

Designation	Description
DC OK	Green LED Indicator
V Adj.	O/P Voltage adjustment
+	Output Positive
-	Output Negative
Rdy	DC OK signal(Short)
⏏	Earth
N	Input Neutral
L	Input Line

Installation instruction



Place the top of the AD1120CF rail mount over the top of the DIN rail. Tilt the bottom of the AD1120CF toward the DIN rail until it snaps into place.

To remove the AD1120CF from the DIN rail, use a flathead screwdriver to pull down the bottom of the rail mount and tilt it away from the DIN rail.

To install AD1120CF on wall/plate, loosening screws on mounting brackets and pull both brackets out first. Then re-screwing the two brackets with screws onto wall/plate.

The left housing of AD1120CF is designed as a heat sink, please keeping a minimum distance of 15mm from each other.